

**Non-Metered/Card Ready**

# CROSSOVER®

*In a class by itself.*

*The world's first small chassis washer engineered to commercial laundry standards for your business needs.*

## PROFESSIONAL SPECIFICATIONS

Serving the Route and OPL markets, Crossover Series Washers meet business demands with durability, energy savings and customer satisfaction.

## FEATURES AND BENEFITS

- ✓ 22+ lb capacity
- ✓ 15,000+ cycles durability
- ✓ 4 professional wash programs + 2 cycle options
- ✓ Top quality SKF bearings in heavy duty assembly
- ✓ 3 seals with 5 lips protect bearings
- ✓ Professional grade 8-point suspension
- ✓ Pump-drain standard
- ✓ Solid steel counterweights—no concrete

## BEST CUSTOMER EXPERIENCE

- ✓ Superior oversuds and unbalance tolerance
- ✓ Extra large door opening
- ✓ Heavy-duty door hinge
- ✓ 4 wash programs + 2 options
- ✓ High speed 300G max extraction

## MARKET READY DESIGN

- ✓ Space-saving 27" wide to minimize floor space
- ✓ Quiet operation
- ✓ Liquid chemicals are fully diluted with water



CROSSOVER OPL WASHER Model No. WHWF09810NM

# CROSSOVER

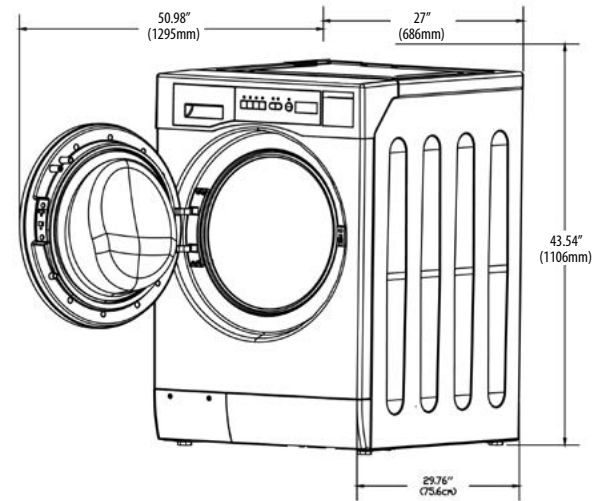
866.580.1010 ✓ [www.crossoverlaundry.com](http://www.crossoverlaundry.com)



# CROSSOVER WASHER

## CROSSOVER WASHER SPECIFICATIONS

<b>Model No.</b>	Non-Metered/Card Ready WHWF09810NM
<b>Motor</b>	Variable-speed, reversible, thermoprotected, high-efficiency, controlled induction
<b>Electrical Rating</b>	120 V/60 Hz / 1-phase
<b>Breaker Requirements</b>	15A
<b>Cylinder Volume</b>	3.5 cu ft (98 liters)
<b>Cylinder Diameter</b>	21 5/8 in (550 mm)
<b>Cylinder Depth</b>	18 1/4 in (464 mm)
<b>Wash Capacity</b>	22 lbs (10 kg)
<b>Door Opening</b>	15 in (380 mm)
<b>Wash Speed</b>	45 RPM
<b>Maximum RPM*</b>	1,000 RPM
<b>Maximum G-force*</b>	300 G
<b>Inlet Hose</b>	2 3/8 in (hoses included)
<b>Water Pressure</b>	10-90 psi (70-600 kPa)
<b>Drain Hose</b>	1 in (25.4 mm)
<b>Crated Weight</b>	314 lbs (142.7 kg)
<b>Uncrated Weight</b>	299 lbs (136 kg)
<b>Overall Dimensions</b>	W D H: 27 x 33 3/4 x 39 3/4 in w/o meter box W D H: 27 x 33 3/4 x 43 1/2 in w/meter box (W D H: 686 x 857 x 1010 mm w/o meter box) (W D H: 686 x 857 x 1106 mm w/meter box)



Refer installation and servicing to qualified, licensed personnel. Always read installation and Operating Manuals and consult local codes before installation. Protect machines with properly rated circuit breakers ONLY. Warranty void if not properly installed. Specifications subject to change without notice. Laundrylux assumes no responsibility for errors or omissions in this information.

*Laundrylux offers a complete line of Electrolux Professional and Wascomat Commercial Laundry equipment.*

# CROSSOVER

866.580.1010 ✓ [www.crossoverlaundry.com](http://www.crossoverlaundry.com)

CROSSOVER • 461 Doughty Blvd., Inwood, NY 11096

Sales and Administration Tel: 516-371-4400 • Fax: 516-371-4204 • [sales@laundrylux.com](mailto:sales@laundrylux.com)

Spare Parts Tel: 516-371-2000 • Fax: 516-371-4029 • [parts@laundrylux.com](mailto:parts@laundrylux.com)

Technical Support – Tel: 516-371-0700 • Fax: 516-371-4029 • [service@laundrylux.com](mailto:service@laundrylux.com)

En Mexico: Llame gratis a este numero 001-800-010-1010