

Non-Metered/Card Ready

CROSSOVER[®]

In a class by itself.

The world's first small chassis dryer engineered to commercial laundry standards for your business needs.



CROSSOVER DRYER—GAS Model No. DAWF0GNM
CROSSOVER DRYER—ELECTRIC Model No. DAWF0ENM

PROFESSIONAL SPECIFICATIONS

Serving the Route and OPL markets, Crossover Series Dryers meet business demands with durability, energy savings and customer satisfaction.

FEATURES AND BENEFITS

- ✓ 22+ lb capacity
- ✓ 7.5 cu ft drum
- ✓ Durable stainless steel fixed lint screen
- ✓ Axial airflow
- ✓ Commercial grade components
- ✓ Extra large door opening
- ✓ Roller supported tumbler
- ✓ Heavy steel construction
- ✓ Tapered ribs bring load forward improving dryer performance.

BEST CUSTOMER EXPERIENCE

- ✓ Faster and more efficient drying
- ✓ Easy loading and unloading with the extra large door opening
- ✓ Large capacity tumbler can handle oversized loads
- ✓ Commercial grade components for maximum dependability and longer life

MARKET READY DESIGN

- ✓ Space-saving 27" wide to minimize floor space
- ✓ Quiet operation
- ✓ Liquid chemicals are fully diluted with water

CROSSOVER

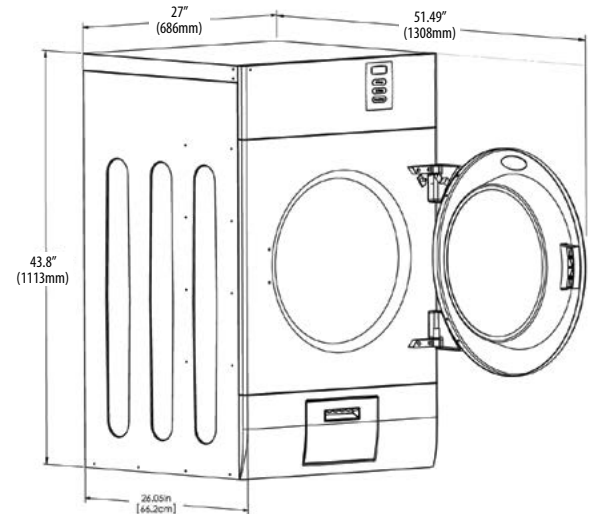
866.580.1010 ✓ www.crossoverlaundry.com



CROSSOVER DRYER

CROSSOVER DRYER SPECIFICATIONS

Model No.	Non-Metered/Card Ready Gas DAWF0GNM
Model No.	Non-Metered/Card Ready Electric DAWF0ENM
Motor	1/3 HP
Electrical Rating (Gas Model)	120V/60Hz/1-phase
Electrical Rating (Electric Model)	208-240V/60Hz/1-phase
Breaker/Fuse Requirements (Gas Heat)	15A
Breaker/Fuse Requirements (Electric Heat)	30A
Cylinder Volume	7 1/2 cu ft (212 liters)
Cylinder Diameter	25 3/4 in (654 mm)
Cylinder Depth	24 in (609 mm)
Capacity (Dry Weight)	22 lbs (10 kg)
Door Opening	17 1/4 in (438 mm)
Airflow	220 cfm (340 m ³ /h)
Gas Heating	26,000 Btu/hr (6,550 kcal/hr)
Gas Connection	3/8 in MNPT
Tumbling Speed	50 RPM
Exhaust Connection	4 in
Approximate Net Weight	151 lbs (68.6 kg)
Approximate Shipping Weight	171 lbs (77.7 kg)
Overall Dimensions	W D H: 27 1/8 x 31 3/4 x 44 in W D H: 685 x 759 x 1118 mm



Refer installation and servicing to qualified, licensed personnel. Always read installation and Operating Manuals and consult local codes before installation. Protect machines with properly rated circuit breakers ONLY. Warranty void if not properly installed. Specifications subject to change without notice. Laundrylux assumes no responsibility for errors or omissions in this information.

Laundrylux offers a complete line of Electrolux Professional and Wascomat Commercial Laundry equipment.

CROSSOVER

866.580.1010 ✓ www.crossoverlaundry.com

CROSSOVER • 461 Doughty Blvd., Inwood, NY 11096

Sales and Administration Tel: 516-371-4400 • Fax: 516-371-4204 • sales@laundrylux.com

Spare Parts Tel: 516-371-2000 • Fax: 516-371-4029 • parts@laundrylux.com

Technical Support – Tel: 516-371-0700 • Fax: 516-371-4029 • service@laundrylux.com

En Mexico: Llame gratis a este numero 001-800-010-1010